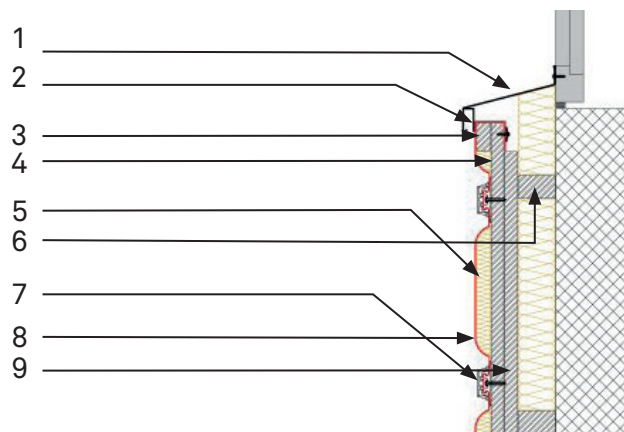
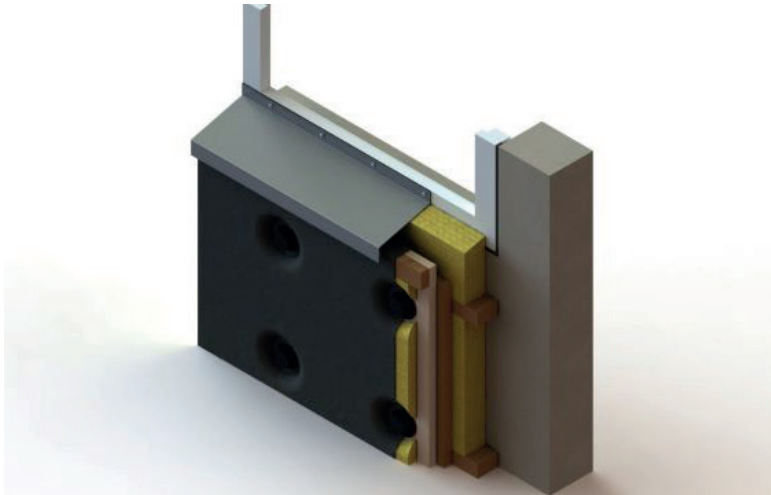


9.4 Detailed solution

Window sill facade connection



Legend

1. Window sill
2. Insect screen
3. Wood finish 27 mm
4. 3-layer or OSB board min. 22 mm
5. Insulation rock wool type 3, 30 mm
6. Spacer / UK facade construction
7. Contec.fix, clamp holder
8. Contec.proof EPDM (connections and terminations mechanically fixed/glued)
9. Rear ventilation

